

HTT

Thermoplastic regenerative mag drive turbine pumps

HTT

Pompe a turbina rigenerativa a trascinamento magnetico in materiali termoplastici



FEATURES

- **Materials available:** PP / PVDF;
- **Plastic injection moulded;**
- **Materials in contact with the liquid:**
Casing and impeller: PP/PVDF; O-ring: EPDM/VITON;
Shaft: pure ceramic; Bushing PTFEC;
- **Max flow:** 8 m³/h; **Max head** 36 mlc;
- **Temperature:** PP: max 70°C – PVDF: max 90°C;
- **Max viscosity:** 200 cSt;
- **Pressure rating:** NP 6;
- **It handles up to 20% entrained gas.**
HTT pump resists cavitation.

STANDARD

- **Gas threaded In and Out connections;**
- **Static shaft in high purity ceramic;**
- **Chemical resistant PTFE/carbon sleeve bearings;**
- **High torque magnetic coupling;**
- **Direct starting motor.**

OPTIONAL

- **ANSI 150 flanges available;**
- **Baseplate;**
- **Dry-running protection.**

CARATTERISTICHE

- **Materiali disponibili:** PP / PVDF
- **Pompa in materiali plastici stampati;**
- **Materiali a contatto con il liquido:**
Corpo e girante: PP/PVDF; O-ring EPDM/VITON;
Albero statico: ceramica pura; Boccola: PTFEC;
- **Portata fino a 8 m³/h; Prevalenza fino a 36 mcl;**
- **Temperatura massima di esercizio:**
PP: 70°C – PVDF: 90°C;
- **Viscosità massima:** 200 cSt;
- **Pressione nominale massima:** PN 6;
- **Può pompare liquidi con presenza di gas fino al 20%.**
Resiste alla cavitazione.

STANDARD

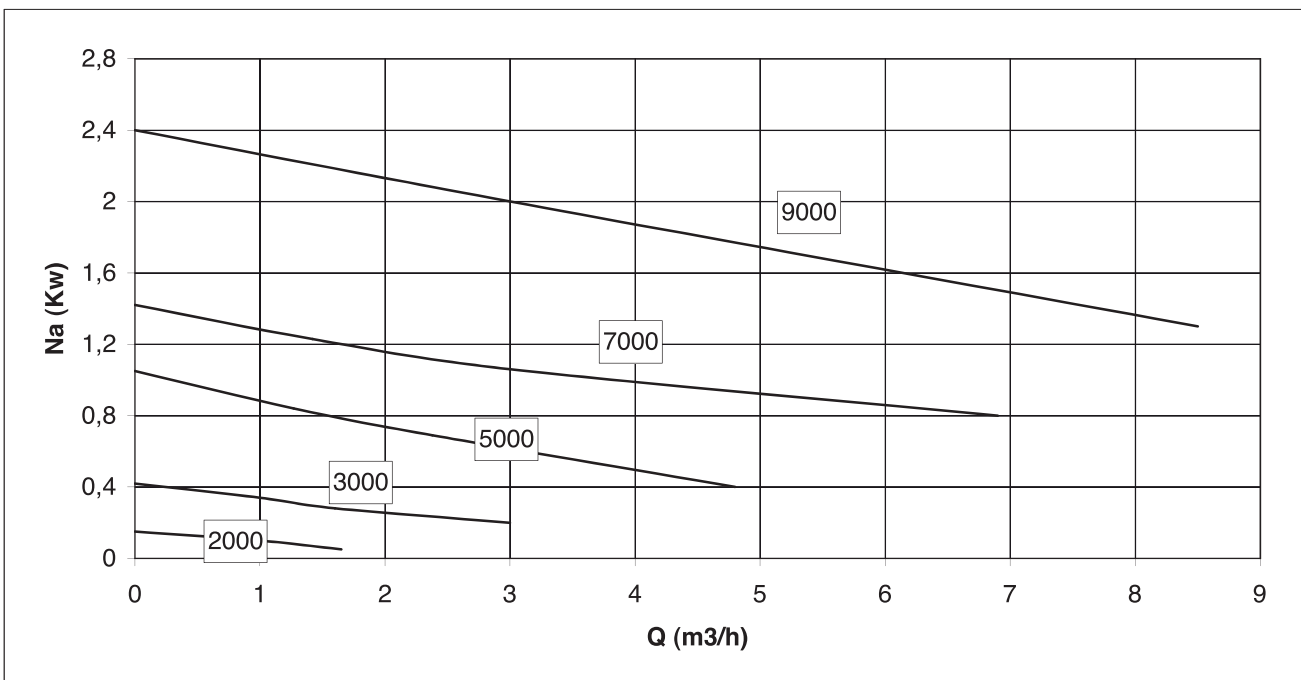
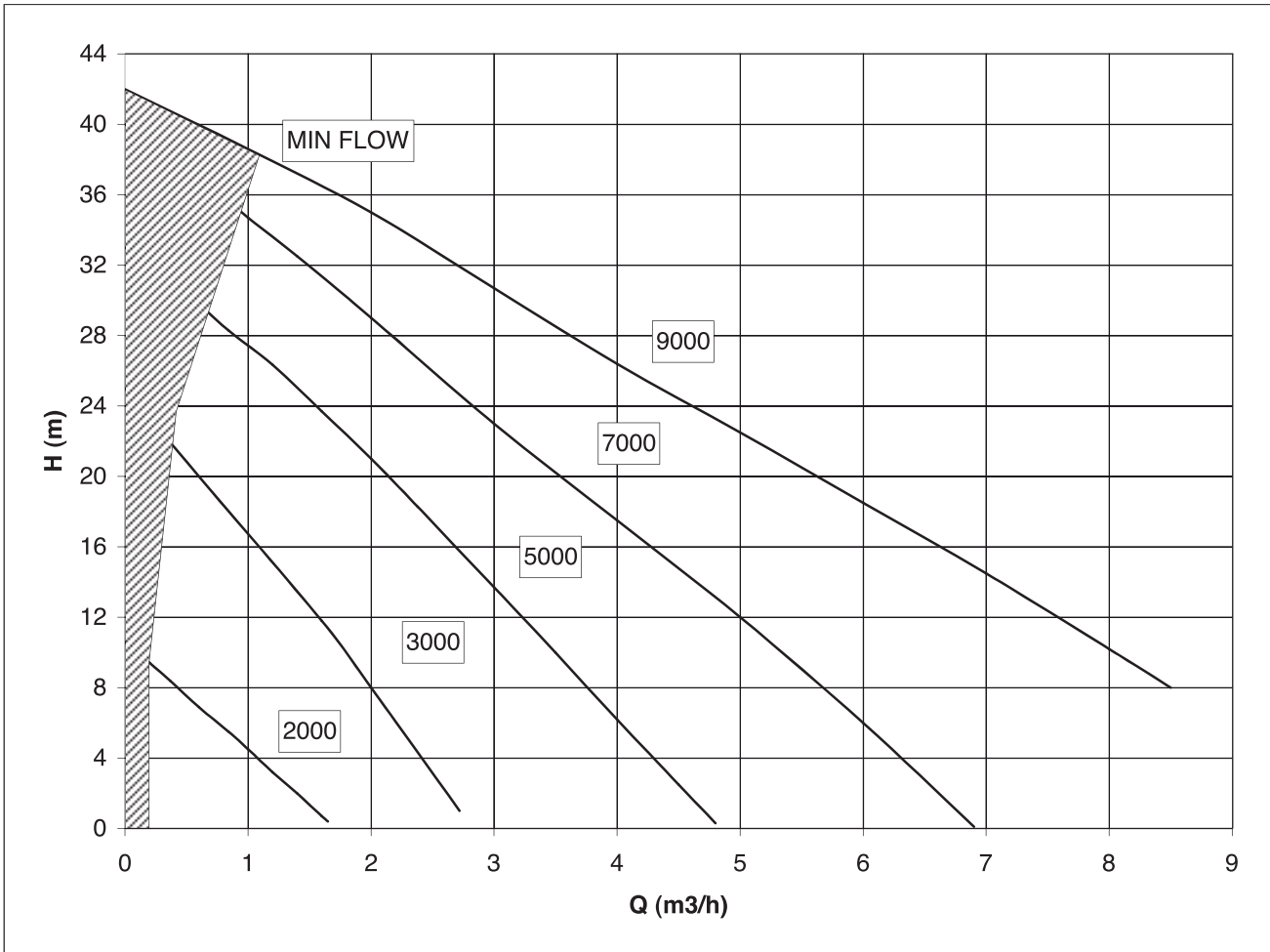
- **Attacchi aspirazione e mandata filettati gas;**
- **Albero statico in allumina pura;**
- **Boccole rotanti in PTFE grafite ad alta resistenza chimica;**
- **Elevata coppia magnetica;**
- **Avviamento diretto.**

OPTIONAL

- **Flange ANSI 150;**
- **Basamento;**
- **Dispositivo contro la marcia a secco.**

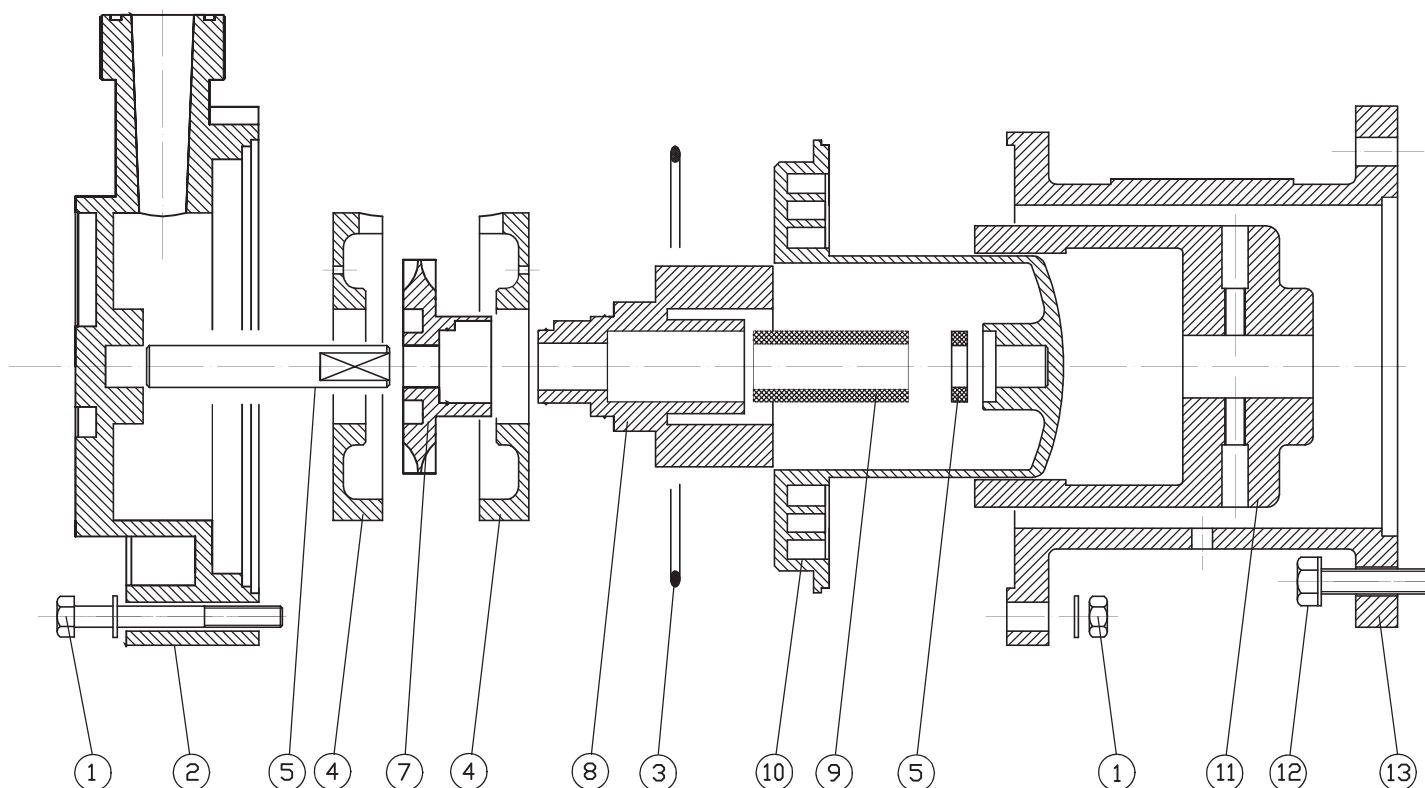
HTT PP/PVDF

50 HZ - 2900 RPM CURVES - CURVE 50 HZ - 2900 RPM



HTT 2000 - 3000 - 5000 - 7000 - 9000 PP/PVDF

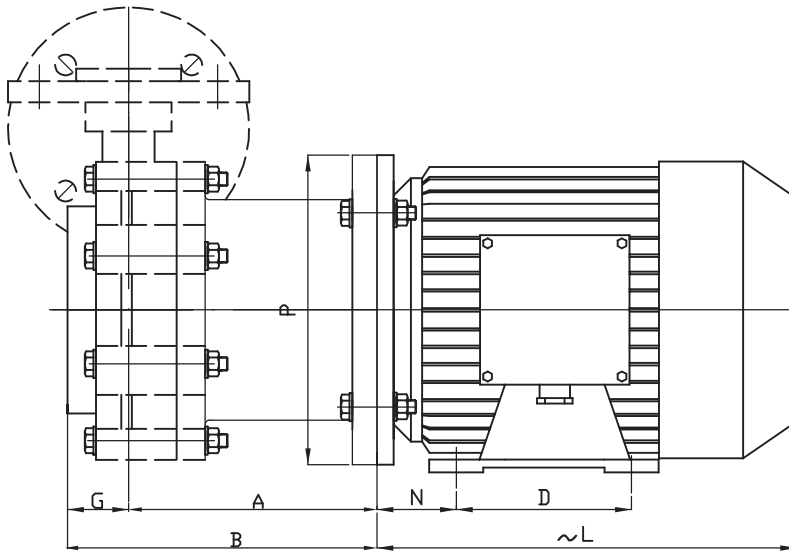
SECTION AND PARTS LIST - SEZIONE E LISTA PARTI



POS.	1	2	3	4	5	7	8	9	10	11	12	13
PART. DESCR.	SET SCREWS	PUMP HEAD	O - RING	FRONT AND REAR DISC	SHAFT + RING	IMPELLER	INT. MAGNET	BEARING	REAR CASING	EXT. MAGNET	SCREWS	BRACKET
MATERIALS	AISI 304	PP PVDF	EPDM VITON	PP PVDF	Al ₂ O ₃	PVDF	PP PVDF NdFeb	PTFEC	PP PVDF	C40 NdFeb	AISI 304	PP

HTT 2000 - 3000 - 5000 - 7000 - 9000 PP/PVDF

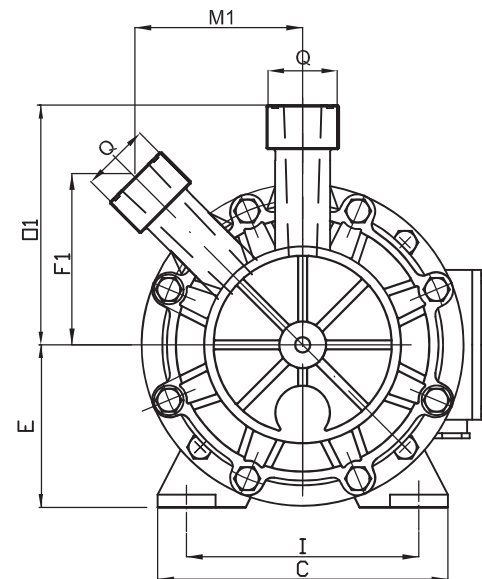
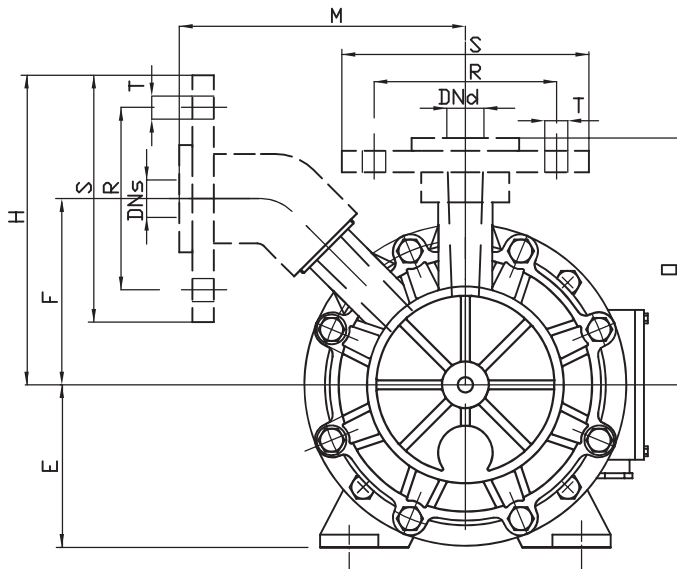
DIMENSIONS - DIMENSIONI D'INGOMBRO



NOTE:
DIRECTION OF ROTATION IS COUNTER CLOCKWISE
AS SEEN WHEN FACING THE MOTOR.
PUMPS AVAILABLE THREADED OR FLANGED.

PUMP TYPE	FLANGES DIMENSIONS - mm -				
	R	S	T	DN _s	DN _d
HTT 2000	85	115	14	25	25
HTT 3000	85	115	14	25	25
HTT 5000	110	153	18	40	40
HTT 7000	110	153	18	40	40
HTT 9000	110	153	18	40	40

FLANGES
DIN PN 10



PUMP TYPE	MOTOR FLANGE B3 - B5	POT. Kw	DIMENSIONS - mm -																	
			A	B	C	D	E	F	F1	G	H	I	~ L	M	M1	N	O	O1	P	Q
HTT 2000	G 71 A	0.37	118	146	142	90	71	86	78	28	145	112	192	135	78	45	116	110	160	1" MALE
HTT 3000	G 71 A	0.37	118	146	142	90	71	86	78	28	145	112	192	135	78	45	116	110	160	1" MALE
	G 71 B	0.55											215							
HTT 5000	G 80 A	0.75	187	221	160	100	80	110	95	34	187	125	215	189	95.5	50	148	135	200	1" MALE
	G 80 B	1.1											232							
HTT 7000	G 80 B	1.1	187	221	160	100	80	110	95	34	187	125	232	189	95.5	50	148	135	200	1 1/2" MALE
	G 90 S	1.5					90						255							
	G 90 L	2.2					125						280							
HTT 9000	G 90 L	2.2	187	221	170	125	90	110	95	34	187	140	280	189	95.5	56	148	135	200	1 1/2" MALE
	G 100	3																	100	

OUR COMPANY - LA NOSTRA SOCIETÀ



Armek is the international subsidiary of GemmeCotti S.r.l, located in Ceriano Laghetto (Italy) and it is specialized in the production of innovative and high quality pumps suitable for pumping aggressive and dangerous liquids. The wide range of products includes mag-drive centrifugal pumps, turbine pumps, vane pumps, vertical pumps, mechanical seal pumps and vacuum pumps in thermoplastic materials (PP/PVDF) and metallic materials (AISI 316, Titanium, Hastelloy).

Armek pumps can be used in different industrial fields such as: chemicals, petrochemicals, pharmaceuticals, paper mills, textile industry, food processing, sugar plants, dairies, electronics, power plant stations and are used for other hazardous chemical applications.

In 2008 Armek obtained the ISO 9001 quality certification, clear proof of the ability to improve itself and of the desire to offer a high quality level of both the products and of the service.

Armek è l'azienda sussidiaria della GemmeCotti S.r.l. di Ceriano Laghetto (Italia) ed è specializzata nella produzione di pompe innovative e di alta qualità adatte al pompaggio di acidi e liquidi pericolosi. La vasta gamma di prodotti comprende pompe centrifughe a trascinamento magnetico, pompe a turbina, pompe a palette, pompe verticali, pompe a tenuta meccanica e pompe del vuoto in materiali termoplastici (PP/PVDF) e metallici (AISI 316, Titanio, Hastelloy). Le pompe Armek sono utilizzate in diversi settori industriali tra cui: industria chimica, petrolchimica, farmaceutica, cartaria, industria tessile, alimentare, zuccherifici, caseifici, industria elettronica, impianti trattamento acque e altre applicazioni chimiche pericolose.

Nel 2008 Armek ha ottenuto il certificato qualità secondo la norma ISO 9001, chiara testimonianza della capacità di miglioramento continuo e della volontà di offrire un ottimo livello qualitativo sia del prodotto che del servizio.

RANGE OF PRODUCTION - PANORAMA PRODUTTIVO

HTM PP/ PVDF



MAG-DRIVE CENTRIFUGAL PUMPS

- Q max: 50 m³/h - H max: 32 mlc
- Materials: PP / PVDF

HTM SS



MAG-DRIVE CENTRIFUGAL PUMPS

- Q max: 30 m³/h - H max: 24 mlc
- Materials: AISI 316

HTT



REGENERATIVE MAG-DRIVE TURBINE PUMPS

- Q max: 8 m³/h - H max: 34 mlc
- Materials: PP / PVDF

HTA



REGENERATIVE MAG-DRIVE TURBINE PUMPS

- Q max: 7 m³/h - H max: 85 mlc
- Materials: AISI 316 L / HASTELLOY-C / TITANIUM

HPP - HPF



MAG-DRIVE VANE PUMPS SELF-PRIMING

- Q max: 400 l/h - H max: 5 bar
- Materials: PP / PVDF

HTP



ROTARY VANE MAG-DRIVE PUMPS DRY SELF-PRIMING

- Q max: 2000 l/h - H max: 12 bar
- Materials: AISI 316 L / HASTELLOY-C / TITANIUM

HCO



MECHANICAL SEALED CENTRIFUGAL PUMPS

- Q max: 60 m³/h - H max: 38 mlc
- Materials: PP / PVDF

VPM / VPS / VPL



LIQUID RING VACUUM PUMPS

- Q max: 450 m³/h - H max: 33 mbar
- Materials: AISI 316/316 L SS / ALLOY 20
HASTELLOY-C / TITANIUM

PVA



VERTICAL CENTRIFUGAL PUMPS

- Q max: 30 m³/h - H max: 34 mlc
- Materials: AISI 316 / TITANIUM

HVL



VERTICAL CENTRIFUGAL PUMPS OPEN IMPELLER

- Q max: 55 m³/h - H max: 36 mlc
- Materials: PP / PVDF

HTF



DRUM PUMPS

- Q max: 130 l/min - H max: 22 mlc
- Materials: AISI 316 / PP / PVDF

W 01



WATTMETRIC RELAY

DRY-RUNNING PROTECTION